



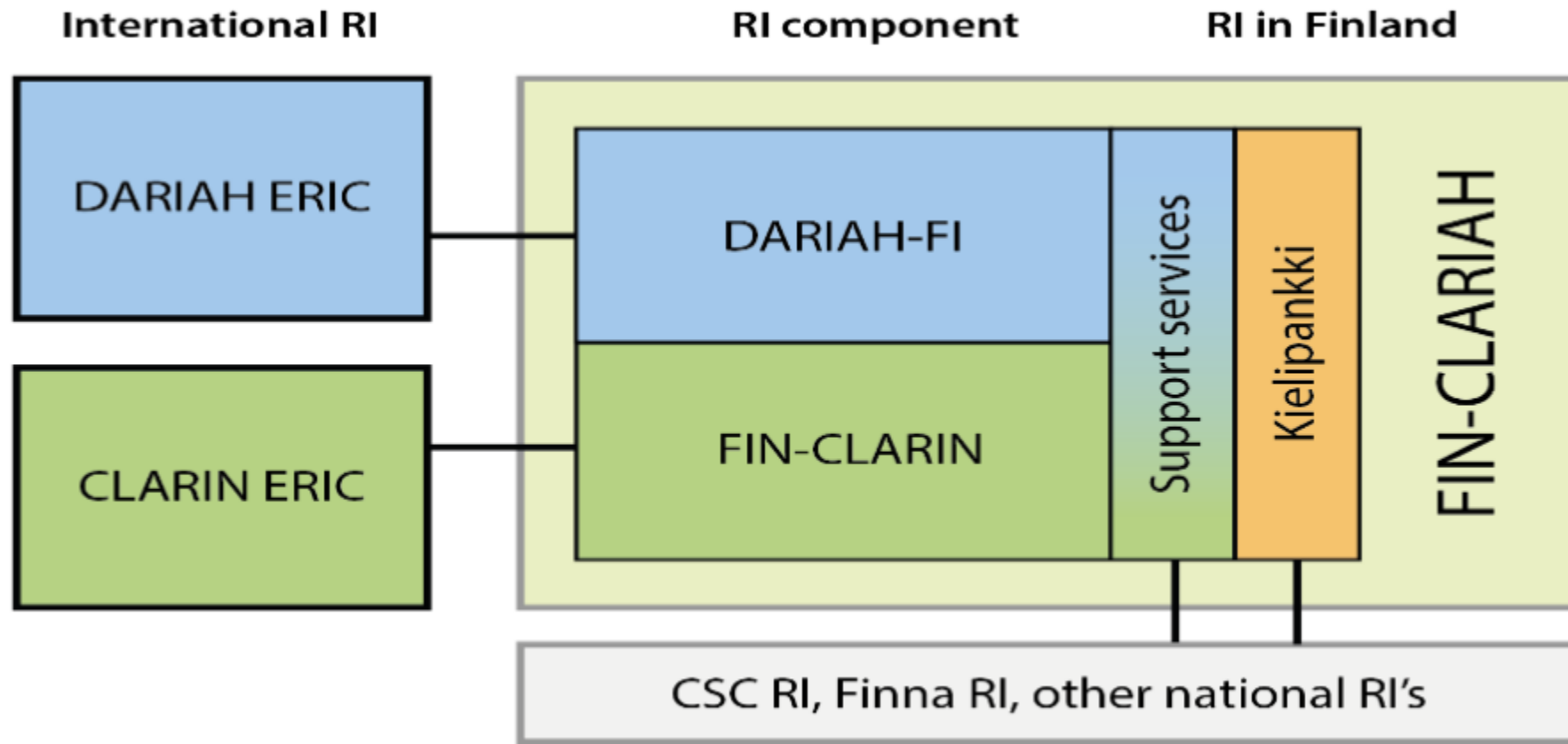
DARIAH-FI: INTRODUCTION TO THE NEW RESEARCH INFRASTRUCTURE

Dr. Risto Turunen,
National Coordinator for DARIAH-FI,
Department of Digital Humanities,
University of Helsinki

PART I: THE BIG PICTURE



FIN-CLARIAH = DARIAH-FI + FIN-CLARIN





HUMANIST OF THE DAY 27.08.2015



Timeline for Dariah-FI

- June 2015: Liber conference London, "Towards Open Science": sat next to Mike Mertens (who had started as a director of Dariah-EU) at the conference dinner. Agreed to investigate possibilities to work together with Dariah-EU.
- Autumn 2015: Faculty of Arts investments at UH on digital humanities scaled up (deans Arto Mustajoki and Hanna Snellman), collaboration with Eetu Mäkelä with respect to infrastructure development started
- April 2016: Mike Mertens visited University of Helsinki to discuss possibilities of collaboration with Dariah-EU
- May 2016: Heldig (Helsinki Centre for Digital Humanities) founded; Eero Hyvönen director, Jouni Tuominen coordinating researcher
- 2016– Joining Dariah-EU Working Groups
- 2016–2017: Dariah-FI survey of use of digital methods among early career humanities researchers in Finland (after Dariah-EU surveys) by Inés Matres, leading to a publication "[State of Digital Humanities in Finland](#)"
- October 2016: keynote presentation at Dariah-EU conference in Ghent, collaboration with Sally Chambers started
- 2017–2019: joined DESIR Humanities at Scale: Evolving the DARIAH-ERIC, Horizon2020 project led by Dariah-EU (our part: development of Dariah in Finland) with Maija Paavolainen and Tuuli Tahko
- 2017– Collaborative Partner agreement between University of Helsinki Dariah-EU (renewed in 2021); also Aalto made the same agreement
- October 2017: Dariah-FI workshop for serious building of national consortium, Jennifer Edmond from Dariah-EU joined us as keynote speaker
- 2017– Dariah Nordic Hub development
- 2018– Building a consortium for Dariah-FI application covering the Finnish Universities, CSC, National Library of Finland and National Archives
- 2019: Academy of Finland Infrastructure application (made it to the final round, but not funded)
- 2020: Planning a roadmap together with large national partner pool and Fin-Clarín as Fin-Clariah (supported by dean Pirjo Hiidenmaa; accepted to the Academy of Finland Infrastructure Roadmap)
- 2020: HSSH institute at University of Helsinki founded, Risto Kunelius director
- 2021: Writing an application together with all the partners as Fin-Clariah for FIRI, director Krister Lindén (successful)
- 2022– Putting the roadmap to practice and continue the process for joining Dariah-EU

[Timeline by Mikko Tolonen](#)

WHY DARIAH-FI?

(1) Efficiency -> coordination helps to avoid duplication of work in individual research teams.





One parliamentary
dataset to rule them all?



WHY DARIAH-FI?

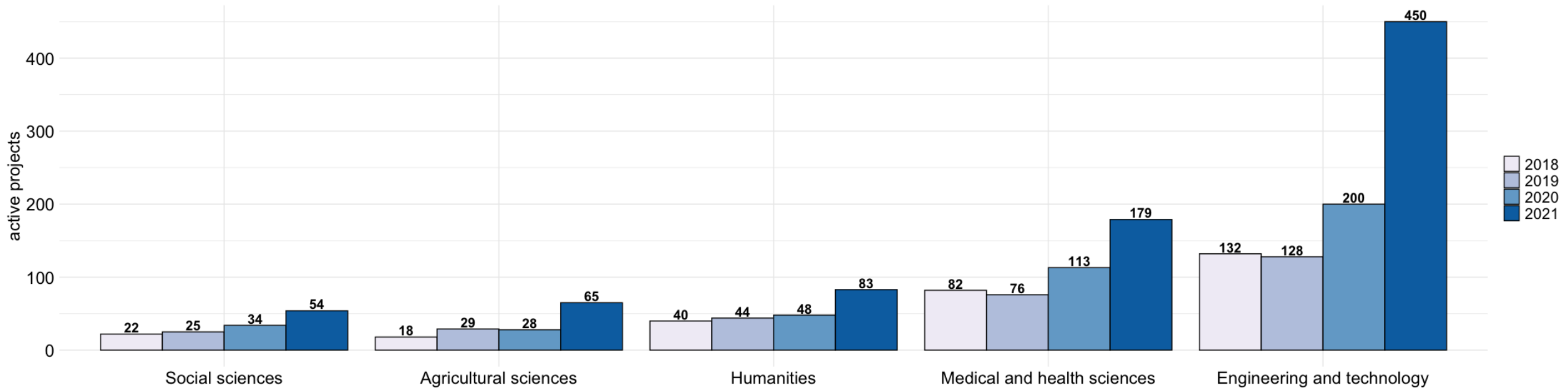
(1) Efficiency -> coordination helps to avoid duplication of work in individual research teams.



(2) Pioneering research in data-intensive SSH
-> CSC offers data storage + computing power + flexible environment needed for international breakthroughs in Digital Humanities & Computational Social Sciences.



UNLEASH THE POTENTIAL OF CSC (national IT centre for science)!



<https://www.csc.fi/en/-/new-fields-of-science-go-computational>

WHY DARIAH-FI?

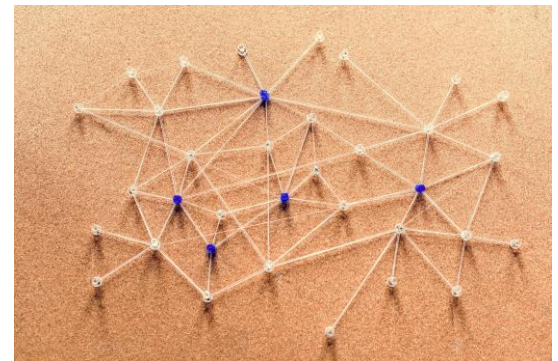
(1) Efficiency -> coordination helps to avoid duplication of work in individual research teams.



(2) Pioneering research in data-intensive SSH
-> CSC offers data storage + computing power + flexible environment needed for international breakthroughs in Digital Humanities & Computational Social Sciences.



(3) Sustainability -> only as a network we can have sufficient resources for long-term infrastructure building.

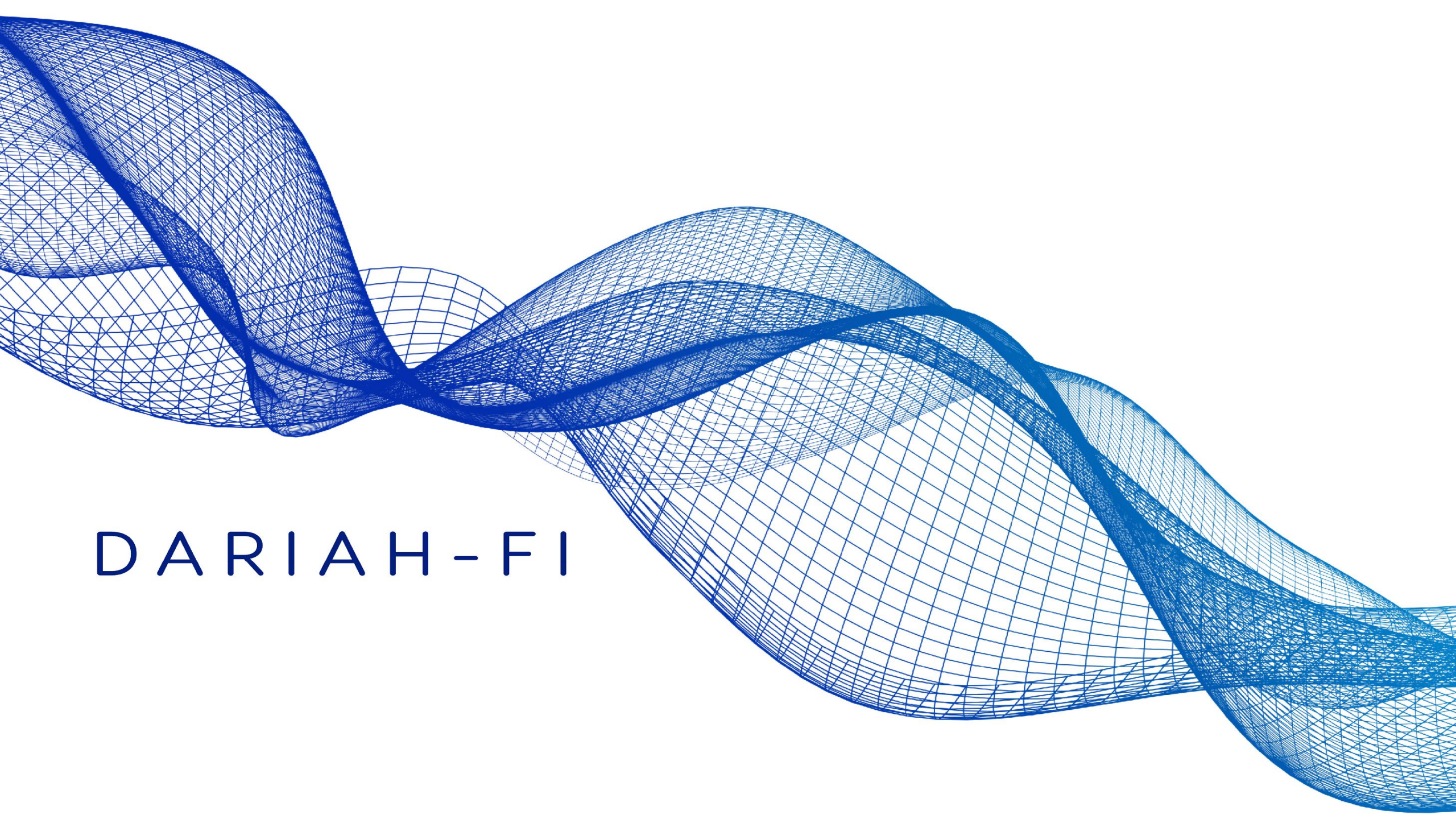




INTERMISSION

PART II: THE GRASSROOTS





DARIAH-FI



DARIAH-KONTTORI:
Turun yliopisto

KONTAKTI:
Veronika Laippala



DARIAH-KONTTORI:
Jyväskylän yliopisto

KONTAKTI:
Tanja Väälisalo



DARIAH-KONTTORI:
Oulun yliopisto

KONTAKTI:
Marika Rauhala



DARIAH-KONTTORI:
Itä-Suomen yliopisto

KONTAKTI:
Paula Rautionaho



DARIAH-KONTTORI:
Aalto yliopisto

KONTAKTI:
Eero Hyvönen



DARIAH-KONTTORI:
Helsingin yliopisto

KONTAKTI:
Risto Turunen



DARIAH-KONTTORI:
Tampereen yliopisto

KONTAKTI:
Sanna Kumpulainen



DARIAH-KONTTORI:
Suomen Kansalliskirjasto

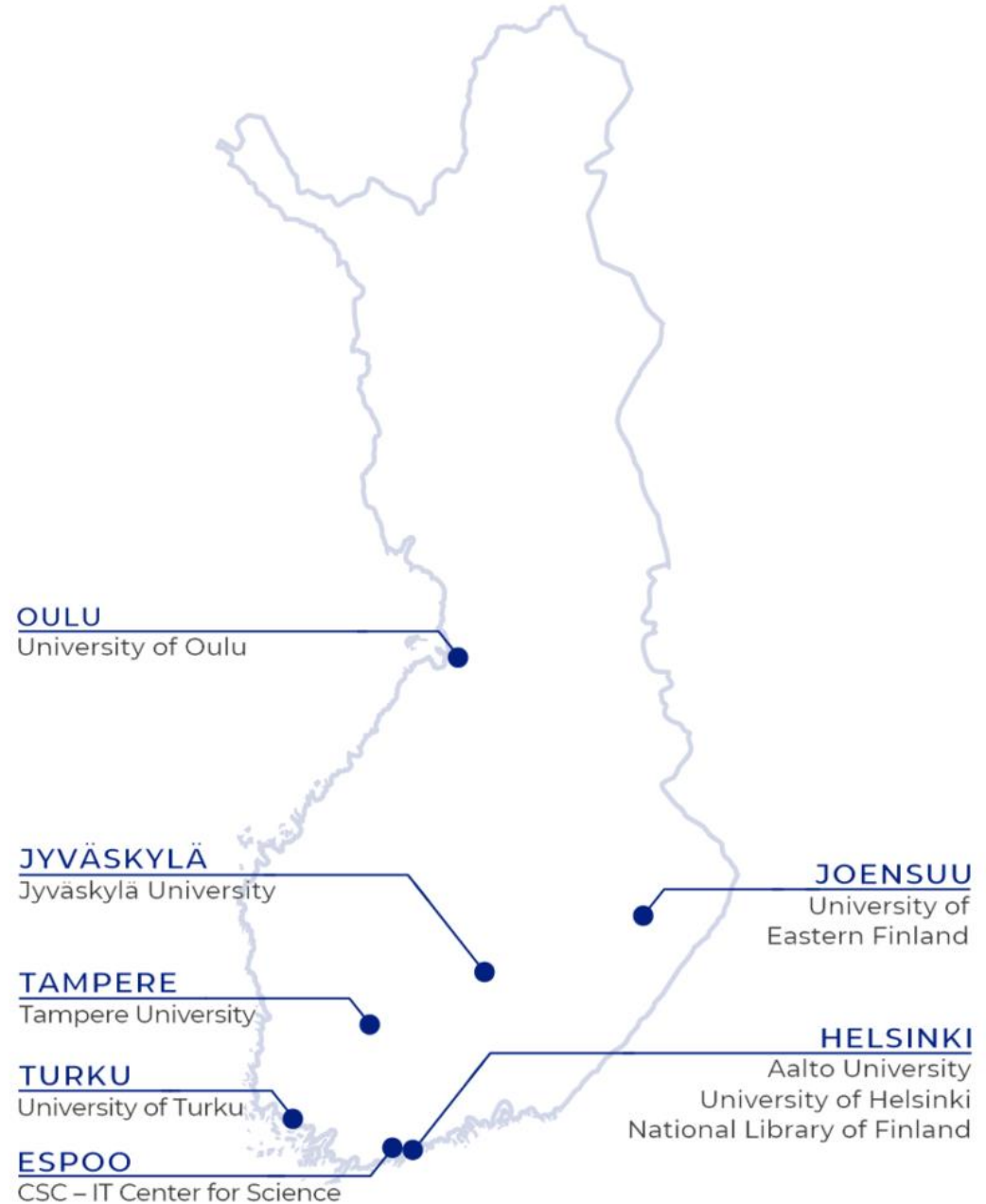
KONTAKTI:
Johanna Lilja



DARIAH-KONTTORI:
CSC - Tieteen tietotekniikan keskus

KONTAKTI:
Katri Tegel

DARIAH-FI OFFICES



DARIAH-FI SLACK, > 70 members

general 75 members

+ Add a bookmark

👤 1 🗨️

Thursday, 8 September

Yesterday

Risto Turunen 12:11
@everyone

Dear DARIAH people,
as we have discussed before, **we need to increase our national visibility** for SSH researchers do not YET know who we are and how we can improve their work. This is why we organize a **national roadshow**. The program is a bit different in each university, but there will be a general introduction to DARIAH-FI, debate on data-intensive social sciences and humanities, and sparkling wine of course. More information coming soon, but **please, spread the word (retweet!) already:**
<https://twitter.com/DariahFi/status/1574315972231823360>

DARIAH-FI @DariahFi
DARIAH-FI is touring around Finland to introduce our services for SSH researchers, check the dates below:

Twitter | Yesterday at 11:32 (178 kB)

University	Date
Tampere University	Nov 10, 2022
University of Jyväskylä	Nov 17, 2022
University of Eastern Finland	Nov 29, 2022
Aalto University	Nov 30, 2022
University of Helsinki	Dec 05, 2022
University of Turku	Jan 24, 2023

👍 3 🗨️ 2 🗨️

Message #general

+ 🗨️ 🗨️ 🗨️ @ Aa

DARIAH-FI WORK PACKAGES



DATA INGESTION

WP: [Data Pipeline from NLF to CSC](#)

WP: [Data Pipeline from NARC to CSC](#)

WP: [Capturing Game Stream Data](#)



PRE-PROCESSING &
ENRICHMENT

WP: [Tool to Evaluate Biases & Errors](#)

WP: [Noise-Resistant NLP](#)

WP: [Harmonizing Fennica Metadata](#)



ANALYSIS

WP: [Easy-to-use Interface for Nordic Twitter](#)

WP: [Tool for Qualitative Survey Answers](#)

WP: [LOD Interface for Parliamentary Data](#)

WP: [Tool for Text Network Analysis](#)



EDUCATION, DISSEMINATION, AND EVIDENCE-BASED RESEARCH INFRASTRUCTURE DEVELOPMENT

FUTURE OF DARIAH-FI?

1.



Photo: Building a road,
Anton Taipale, Museovirasto

FUTURE OF DARIAH-FI?

1.



Photo: Building a road,
Anton Taipale, Museovirasto

2.

DARIAH-FI 



SOME LESSONS FROM THE ROAD SO FAR...

(1) There seems to be a genuine interest in our research infrastructure at the grassroots!

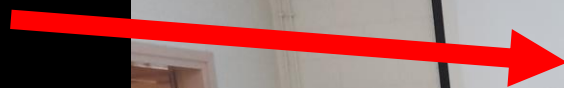
ACADEMIC FIELD	COUNT
history	25
linguistics	11
computer science	6
sociology	6
digital humanities	4
literary studies	3
media and communication studies	3
social science	3
applied linguistics	2
corpus linguistics	2
criminology	2
education	2
english language	2
english linguistics	2
linguistic data sciences	2
multimodality research	2
social sciences	2
speech and language technology	2
translation studies	2

ACADEMIC BACKGROUND	COUNT
Postgraduate researcher	52
Postdoctoral researcher	49
Professor	33
Lecturer	16
Master-level student	16
Other	15

SOME LESSONS FROM THE ROAD SO FAR...

- (1) There seems to be a genuine interest in our research infrastructure at the grassroots.
- (2) DARIAH-FI connects people not only nationally but also locally!

This computer scientist later had a serious discussion with an historian on the topic of GIS.



SOME LESSONS FROM THE ROAD SO FAR...

- (1) There seems to be a genuine interest in our RI at the grassroots.
- (2) DARIAH-FI connects people not only nationally but also locally.
- (3) Researchers are not going to use our resources just for fun: can this tool / dataset / workflow help them to improve in their craft?

DARIAH-FI

PARTICIPANT RECRUITMENT

WHAT

We are looking for volunteers to take part in a study for developing the DARIAH-FI research infrastructure

WHY

We want to determine what are the needs and expectations of the researchers regarding the DARIAH-FI research infrastructure

WHERE

You will be asked to take part in a semi-structured interview that will happen online and will be held in English

Are you interested?

Scan the QR code or use the link below to fill a form with your basic information. Once you have completed the form, a member of the research team will contact you via email



<https://forms.office.com/r/7fPd0tvZk0>

DARIAH-FI

